

# POD

## ROLLER BANNER STANDS

ROLLER BANNER STANDS



Compact and  
lightweight system

Smart satin anodised  
aluminium casing

ROLLER BANNER STANDS

Adjustable telescopic pole



# POD

# COMPACT AND PORTABLE

POD IS A COMPACT AND HIGHLY PORTABLE ROLLER BANNER STAND PRESENTED IN A SMART SILVER ANODISED FINISH, FEATURING A QUICK CHANGE GRAPHIC FACILITY AND A TELESCOPIC POLE. THE MAXIMUM VISIBLE GRAPHIC PANEL SIZE IS 2100MM HIGH X 800MM WIDE.

#### FEATURES

- Compact roller banner stand featuring a fully adjustable telescopic pole and simple twist out stabilising foot
- Self tensioned system with a quick change graphic facility
- Smart satin anodised aluminium casing and poles
- Ideal for desk top or floor standing graphic displays
- Supplied with a useful carry bag

#### ACCESSORIES

- Wide range of spotlighting options available



International Patent No. 2391685



SILVER ANODISED

# ABLE



1. Helios 3  
50w hi spotlight
2. Helios 4  
50w hi spotlight
3. Helios 5  
50w hi spotlight
4. Helios 7  
50w low voltage spotlight
5. Helios 8  
50w low voltage spotlight
6. Twist out foot

ROLLER BANNER STANDS

COMPACT AND PORTABLE

LIGHTING OPTIONS

SET UP IN SECONDS

## SPECIFICATIONS

GRAPHIC PANEL SIZES  
Finished graphic panel size  
2150 x 800mm  
Visual graphic area  
2100 x 800mm  
Maximum finished graphic panel thickness  
250 micron

SYSTEM SIZES  
Boxed size  
830 (L) x 120 (W) x 110 (D)mm  
Assembled size  
815 (W) x 250 (D) x 2180 (H)mm

BOXED WEIGHT  
2.78kg

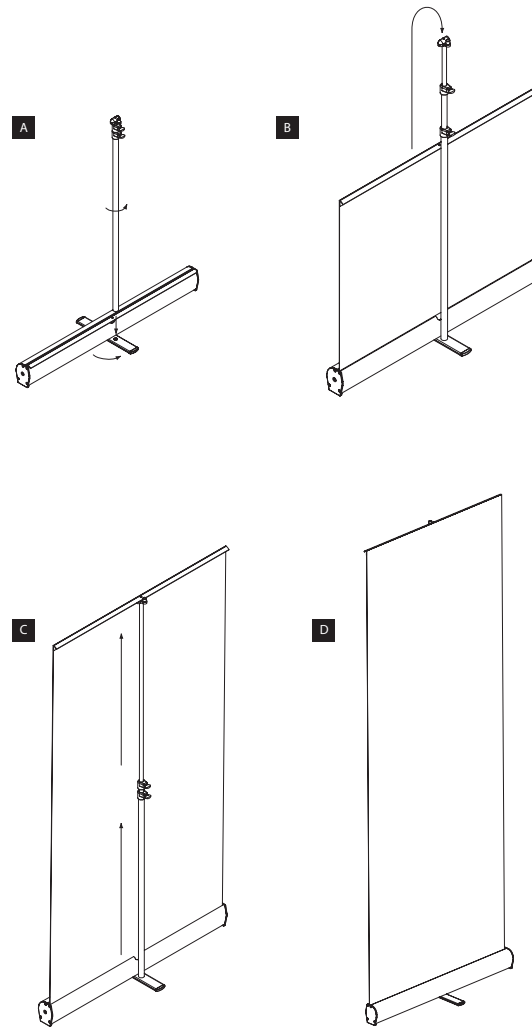
TELESCOPIC POLE HEIGHTS  
Min height = 800mm  
Max height = 2100mm

## COMPONENT LIST

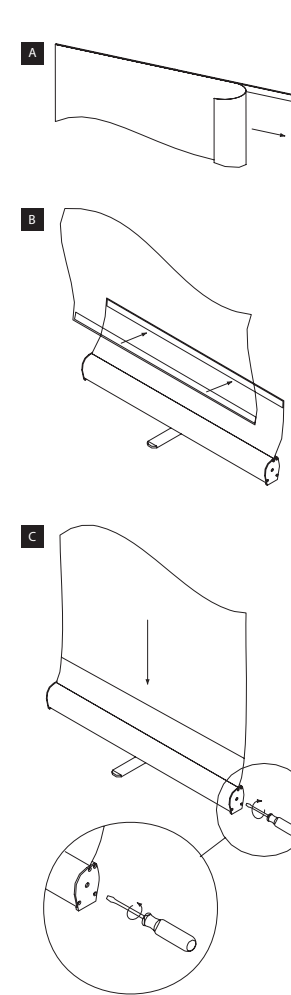
Pod unit  
3 part telescopic pole  
Graphic gripper rail  
Padded carry bag



## POD ASSEMBLY INSTRUCTIONS



## GRAPHIC ATTACHMENT



**A** Attach top rear of graphic panel to double sided tape on top hanger.

**B** Attach hook Velcro® to rear bottom edge of graphic panel to leader sheet by positioning hook Velcro® against loop Velcro®. Ensure graphic panel is aligned parallel to the leader sheet.

**C** Use a standard flat headed screw driver to wind the graphic into unit. We recommend between 20 and 30 complete clockwise turns to achieve optimum tension, although this may vary (+/-) with different styles of graphic material.

### IMPORTANT NOTES

When retracting a graphic always slowly guide it into base housing, otherwise graphic damage may occur.

To ensure a proper bond between graphic and hanger bar pressure must be applied. Also the adhesive should be allowed to cure for 24 hours before the Pod is used.

### REMOVING THE TENSION FROM A POD

To un-tension graphic panel place a flat headed screwdriver into the slot and push to disengage ratchet. Hold in and turn anti-clockwise until tension in spring is released. To remove graphic panel carefully peel it off leader sheet. The gripper rail can be removed and re-used.