

ADVANTAGE POP UP SYSTEM BUNDLE KIT

POP UP SYSTEMS

POP UP SYSTEMS



Rapid assembly

Smooth seamless appearance



Complete display solution



ADVANTAGE

THE PLEX ADVANTAGE OFFERS A SEAMLESS GRAPHIC DISPLAY WALL. LIGHTWEIGHT AND STRONG ALUMINIUM FRAME IN A STRIKING BLACK FINISH. FEATURES INCLUDE AUTO SET UP MAGNETIC LOCKING ARMS AND QUICK FIT MAGNETICALLY ATTACHED PANELS.



COMPLETE DISPLAY



Advantage Equipment
in case



SOLUTION



Connecting magnetic locking arms



Attaching magnetic bars



ADVANTAGE

THIS IMPRESSIVE DISPLAY KIT COMES COMPLETE WITH LIGHTS, POP UP CASE AND LECTERN CONVERSION KIT AS STANDARD. IDEAL FOR EXHIBITIONS AND POINT OF SALE ENVIRONMENTS.



COMPLETE DISPLAY



Panel magnetically attaches to node



RAPID ASSEMBLY | MAGNETIC

SOLUTION



- (1) Fabric wrap is attached with press studs
- (2) Printed graphic wrap is attached with magnetic tape to a steel bar



Alternative graphic wrap



Fitting lights to frame



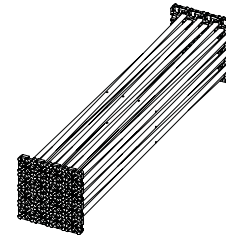
ADVANTAGE

QUICK AND EASY TO SET UP, THIS DISPLAY KIT WILL GIVE YOUR BUSINESS OR EVENT THE PROFESSIONAL IMAGE AT AN AFFORDABLE PRICE.



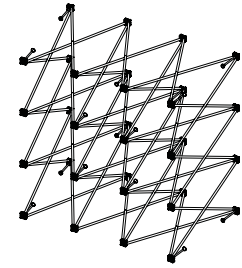
ADVANTAGE ASSEMBLY INSTRUCTIONS

A



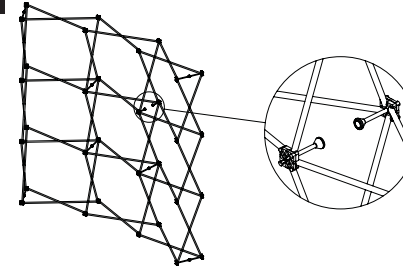
Unpack the collapsed frame from the drawstring bag

B



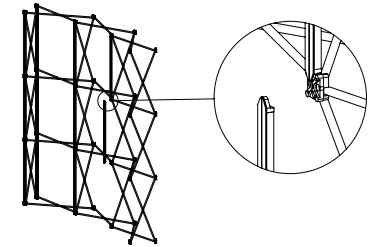
Extend the frame

C



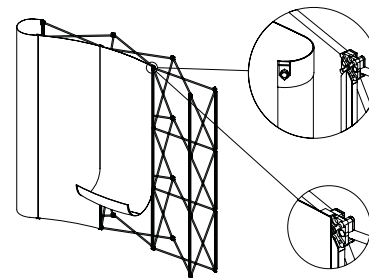
Magnetic locking arms will engage at full extension

D



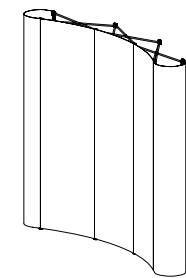
Attach mag bars to nodes

E



Attach panels in sequence to the mag bars starting at the top and smoothing down each side

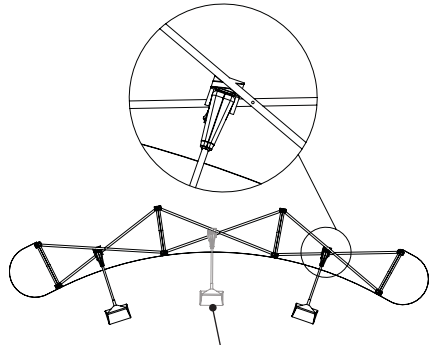
F



Assembled pop up system

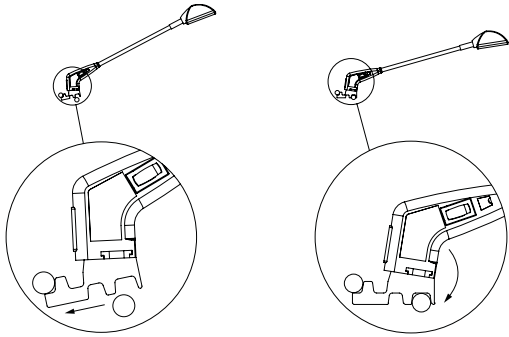
LIGHT FITTING INSTRUCTIONS

1

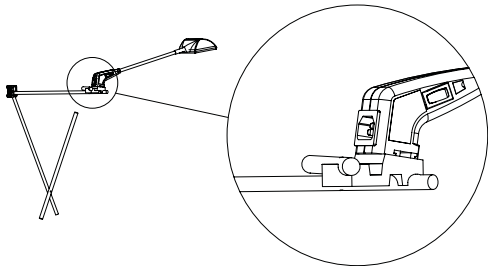


3rd light available as an optional extra

2

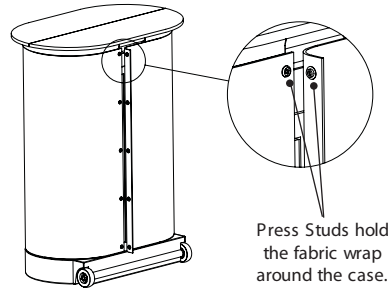


3



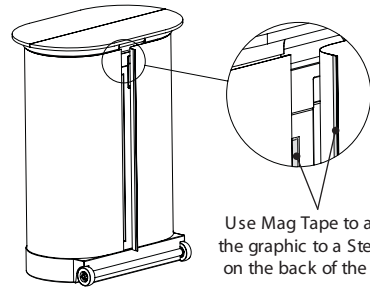
LECTURN WRAP ASSEMBLY INSTRUCTIONS

FABRIC WRAP (INCLUDED)



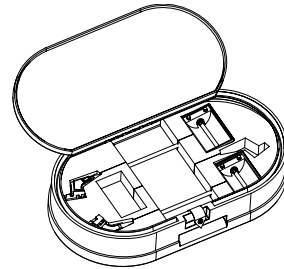
Press Studs hold the fabric wrap around the case.

GRAPHIC WRAP



Use Mag Tape to attach the graphic to a Steel Bar on the back of the case.

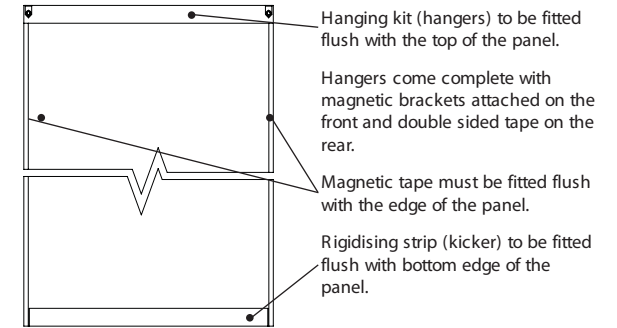
CASE LID LIGHTING STORAGE



Halogen spotlights are stored in a protective case with space for an optional third spotlight.

PREPARING GRAPHIC ATTACHMENT

FRONT (2130 (H) x 653 (W) mm) / REAR PANEL (2130 (H) x 757 (W) mm)



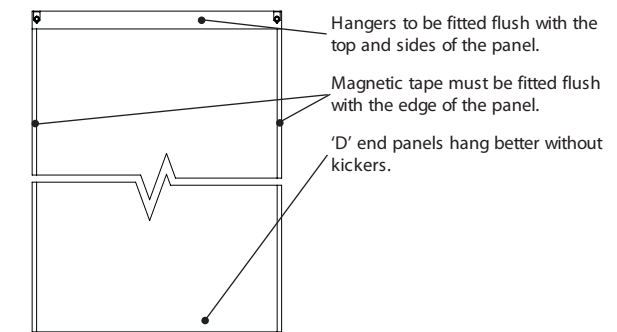
Hanging kit (hangers) to be fitted flush with the top of the panel.

Hangers come complete with magnetic brackets attached on the front and double sided tape on the rear.

Magnetic tape must be fitted flush with the edge of the panel.

Rigidising strip (kicker) to be fitted flush with bottom edge of the panel.

'D' END PANEL (2130 (H) x 653 (W) mm)

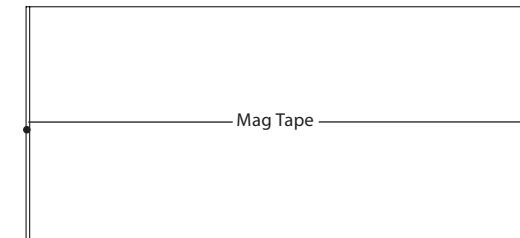


Hangers to be fitted flush with the top and sides of the panel.

Magnetic tape must be fitted flush with the edge of the panel.

'D' end panels hang better without kickers.

CASE GRAPHIC WRAP (800 (H) x 1725* (W) mm)



Mag Tape

* Graphic size is only to be used as a guide. Case size may vary due to moulding process. Each Graphic should be made to suit the individual case.

SPECIFICATIONS

Graphic Panel Sizes

Front - 2130 x 653mm
Rear - 2130 x 757mm
D-End - 2130 x 653mm

System Sizes and weights

Boxed Size - 947 (H) x 663 (W) x 385 (D) mm
Boxed Weight - 33kg
Assembled - 2130 (H) x 2492 (W) x 596 (D) mm

COMPONENT LIST

- 1 - Black Wheeled Case
- 1 - 3x3 Curved Frame
- 1 - Frame Bag
- 18 - Aluminium Mag Bars
- 1 - Mag Bar Bag
- 5 - Panel Hangers
- 3 - Panel Kickers
- 1 - Roll Mag Tape
- 1 - Black Lectern Conversion Wrap
- 1 - Beech Laminated Lectern Conversion Top
- 2 - 220v 150w Halogen Lights, Brackets, Power Leads

Complete Advantage Pop Up Kit - Part No: 30266

EXTRAS / REPLACEMENTS

DESCRIPTION	PART No.
Aluminium Mag Bar	90867
Panel Hanger - Front / D-End	90868
Panel Kicker	90869
Reverse Curve Panel Hanger	90874
Reverse Curve Panel Kicker	90875
Halogen Light 220v 150w	90715
Mag Tape	390025



PANEL INFORMATION

Graphic panels for pop up systems can be produced on a wide range of substrate materials. Usual methods are a paper print with a clear front protective laminate and a lightstop backing, so the print is totally encapsulated.

An alternative method is to print on an inkjet receptive plastic sheet which is front laminated for protection.

We recommend you consult your substrate materials supplier regarding suitable materials for your particular brand of large format printer.

After applying the hangers, kickers and magnetic tape leave the panel flat for 24 hours to allow the adhesive to cure.

When storing fabric or graphic panels always roll them up with the magnetic tape on the inner surface.

Graphic panels supplied by Plex Display are 480 micron PVC covered in a choice of Fronrunner, Prelude or Loop Nylon. The hangers, kickers and magnetic tape are supplied attached to the panel.

OPTIONAL EXTRAS / REPLACEMENTS



1. Halogen Light 220v 150w
2. Aluminium Mag Bar
3. Magnetic Panel Hanger - Front / D-End
4. Magnetic Tape Roll

SYSTEM COMPONENTS



1. Frame
2. Drawstring Frame Bag
3. Mag Bars x 18
4. Mag Bar Bag
5. Mag Tape
6. Transit Case
7. Beech Lectern Top
8. Case Light Storage Lid
9. 220v 150w Halogen Lights x 2
10. Lectern Fabric Graphic Wrap